



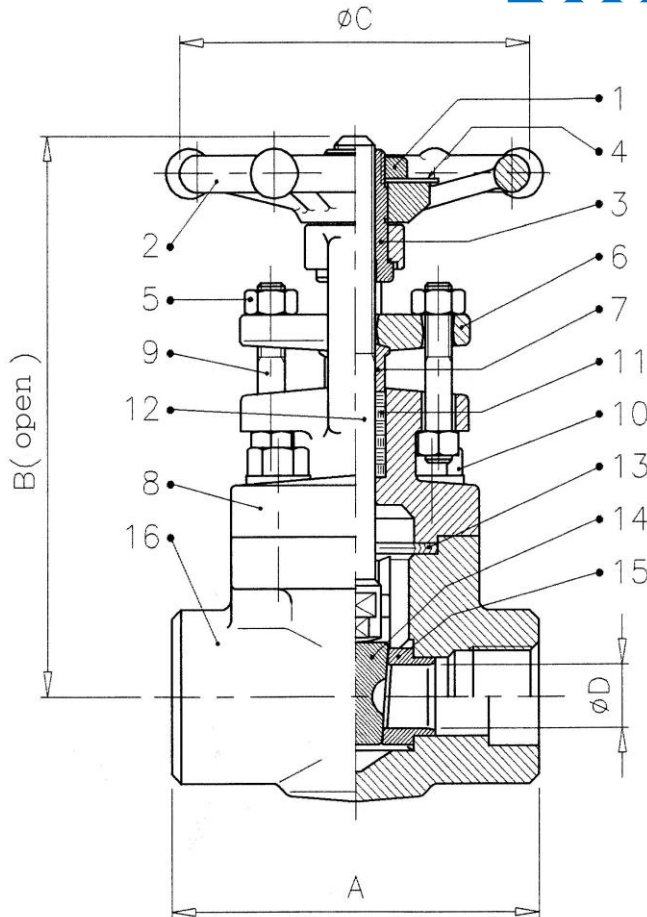
CVB VALVES S.R.L.

Via dell'Industria, 24 – 20020 Arconate (MI) - Italy
 Tel: (+39).0331.461737 Fax: (+39).0331.539175
 www.cvbvalves.com E-mail: info@cvbvalves.com

FORGED GATE VALVES FULL BORE

800 Lbs

CVB-FGT-004



BASIC DESIGN STANDARDS
 Basic Design Basic Design
WALL **WALL**
 THK/PRESS/TEMP THK/PRESS/TEMP

ENDS DIMENSIONS
 SW acc. To ANSI
 B16.34 PTF acc. To ASME B1.20

TEST PRESSURE TO API 598 bar

Shell (water)	Seat (water)	Seat (air)
30	22	5,5

BILL OF MATERIALS STANDARD ACCORDING TO ASTM

No	Part Name	Carbon Steel	Stainless Steel
		A105	F316
01	Handwheel nut	A194-2H	A194-8
02	Washer	F304	F316
03	Name plate	F304	F316
04	Handwheel	CARBON STEEL HDG	F316
05	Gland Nuts	A194-2H	A194-8
06	Gland studs	A193-B7	A193-B8
07	Bonnet	A105	F316
08	Stem	A479 TP410	A479 F316L
09	Yoke Sleeve	AISI416	AISI416
10	Gland Flange	A105	F316
11	Packing Gland	F304	F316
12	Packing	GRAPHOIL	GRAPHOIL
13	Wire joint	AISI 316+GRAFITE	AISI 316+GRAFITE
14	Disc	A479 TP410+STL.GR6	F316
15	Body	A105	F316

* Recommended Spare Parts



CVB VALVES S.R.L.

Via dell'Industria, 24 – 20020 Arconate (MI) - Italy
Tel: (+39).0331.461737 Fax: (+39).0331.539175
www.cvbvalves.com E-mail: info@cvbvalves.com

FORGED GATE VALVES FULL BORE

800 Lbs

SIZE		DIMENSION in mm				WEIGHT
Inches	mm	A	B	C	D	Kg
1/2"	15	90	155	80	Npt	2.0
3/4"	20	110	185	100	Npt	3.6
1"	25	127	218	120	Npt	5.4
1 1/4"	32	127	255	140	Npt	7.9
1 1/2"	40	130	277	140	Npt	10.8
2"	50	137	287	203	Npt	14
3"	80	178	337	203	Npt	20

FORGED GATE VALVES CLASS 800