



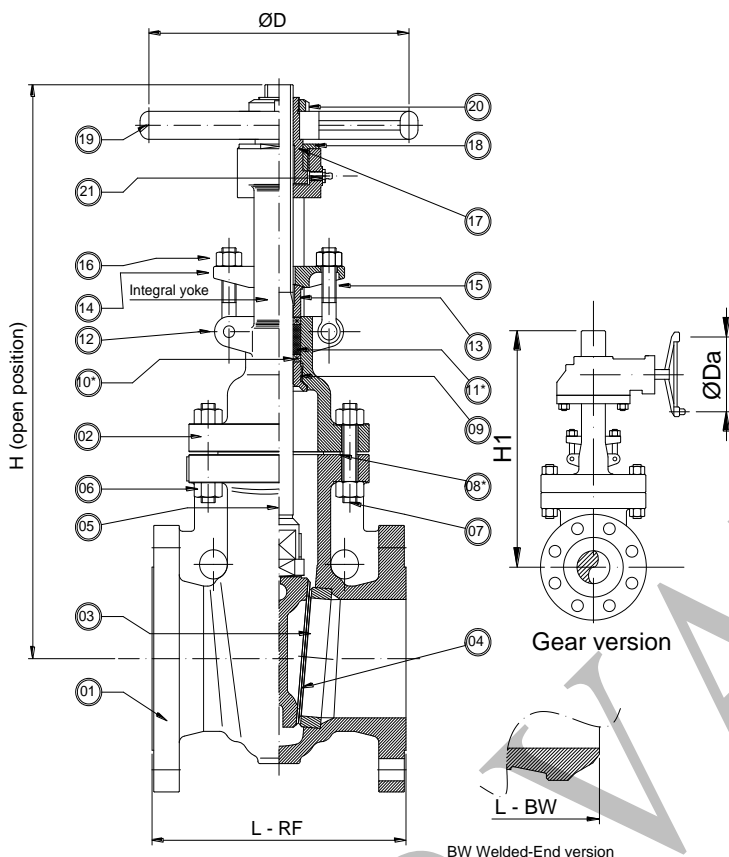
CVB VALVES S.R.L.

Via dell'Industria, 24 – 20020 Arconate (MI) - Italy
 Tel: (+39).0331.461737 C.F. e P.IVA:08735550967
 www.cvbvalves.com E-mail: info@cvbvalves.com

150 Lbs

CAST STEEL GATE VALVES

CVB-GTC-001



BASIC DESIGN STANDARDS

Basic Design API 600 / ANSI B16.34
Face to Face Dimension ANSI B16.10
Flanges Up to 24" ANSI B16.5
From 26" MSS SP44
ANSI B16.47 API 605
Butt-weld ends ANSI B16.25
Testing API 598

STANDARD DESCRIPTION

- Outside Screw & Yoke
- Bolted Bonnet with integral yoke up to Ø 8"
- Bolted Bonnet with bolted yoke from Ø 10"
- Welded Seat Ring
- Solid wedge up to Ø 2-1/2"
- Flexible Wedge from Ø 3" and greater
- Available with Gear Operator
- Special features according to Customer's requirement

TEST PRESSURE TO API 598 Psi/bar

Shell (water)	Seat (water)	Seat (air)
450 / 30	314 / 22	80 / 5,5

* Recommended Spare Parts

No	Part Name	TRIM NUMBER AS PER API 600								
		1	2	8	5	9	10	12	16	
03	Seat Ring	410	304	STL Gr.6	STL Gr.6	MONEL	316	STL Gr.6	STL Gr.6	
04	Wedge			410	STL Gr.6			STL Gr.6		
05	Stem			410	410			316	316	316
09	Backseat									
	Lantern Ring									
13	Gland									



CVB VALVES S.R.L.

Via dell'Industria, 24 – 20020 Arconate (MI) - Italy
 Tel: (+39).0331.461737 C.F. e P.IVA:08735550967
 www.cvbvalves.com E-mail: info@cvbvalves.com

150 Lbs

CAST STEEL GATE VALVES

BILL OF MATERIALS STANDARD ACCORDING TO ASTM

No	Part Name	Carbon Steel		Alloy Steel		Stainless Steel				
		WCB	LCB	WC6	C5	CF8	CF8M	CF3	CF3M	
01	Body	A216 WCB	A352LCB	A217WC6	A217 C5	A351 CF8	A351 CF8M	A351 CF3	A351 CF3M	
02	Bonnet	A216 WCB	A352 LCB	A217 WC6	A217 C5	A351 CF8	A351 CF8M	A351 CF3	A351 CF3M	
06	Bonnet Bolts	A193-B7	A320-L7	A193-B16		A193-B8				
07	Bonnet Nuts	A194-2H	A194-4	A194-4		A194-8				
08	Body / Bonnet Gasket	304 SS + Graphite inhibited								
10-11	Stem Packing	Braided and Flexible Graphite								
12	Eyebolts Pin	A276-410								
14	Gland Flange	A216 WCB	A352 LCB	A217 WC6	A217 C5	A351 CF8	A351 CF8M	A351 CF3	A351 CF3M	
15	Gland Eyebolts	A193-B7	A320-L7	A193-B16		A193-B8				
16	Gland Nuts	A194-2H	A194-4	A194-4		A194-8				
17	Stem Nut	ASTM A439-D2								
18	Retaining Nut	Carbon Steel			410					
19	Hand Wheel	Ductile Iron or Steel								
20	Hand Wheel Nut	Carbon Steel					410			
21	Grease Nipple	Stainless Steel								

CAST STEEL GATE VALVES CLASS 150#

SIZE		DIMENSION in mm						WEIGHT	
Inches	mm	L (RF)	L (BW)	H Open	H1	Ø D	Ø Da	Kg (HANDWHEEL)	Kg (GEAR OPERATOR)
2"	50	178	216	390	-	200	-	19	-
2-1/2"	65	190	241	520	-	250	-	24	-
3"	80	203	282	530	-	250	-	33	-
4"	100	229	305	605	-	350	-	49	-
6"	150	267	403	780	-	350	305	87	-
8"	200	292	419	960	-	350	305	132	-
10"	250	330	457	1210	-	450	305	203	-
12"	300	356	502	1415	1465	500	305	265	291
14"	350	381	572	1532	1600	600	305	490	516
16"	400	406	610	1765	1820	600	305	535	561
18"	450	432	660	1965	2015	600	460	640	689
20"	500	457	711	2130	2180	600	460	780	830
22"	550	508	762	2385	2450	700	460	990	1040
24"	600	508	813	2565	2630	700	460	1190	1240
28"	700	610	914	-	3350	-	460	1931	-
30"	750	610	914	-	3400	-	460	2380	-
32"	800	660	965	-	3450	-	460	2490	-

For Face-to-Face dimension L (RTJ), add +13 mm from size 2" up to 24"